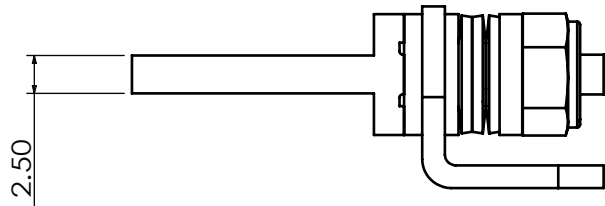
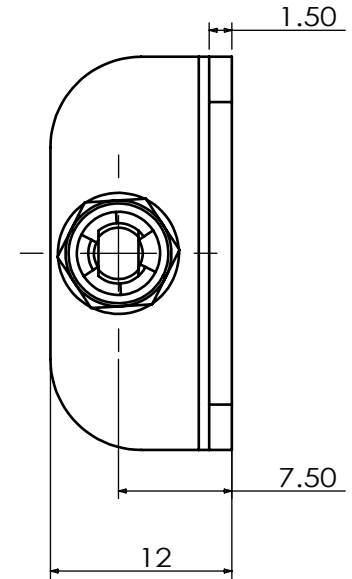
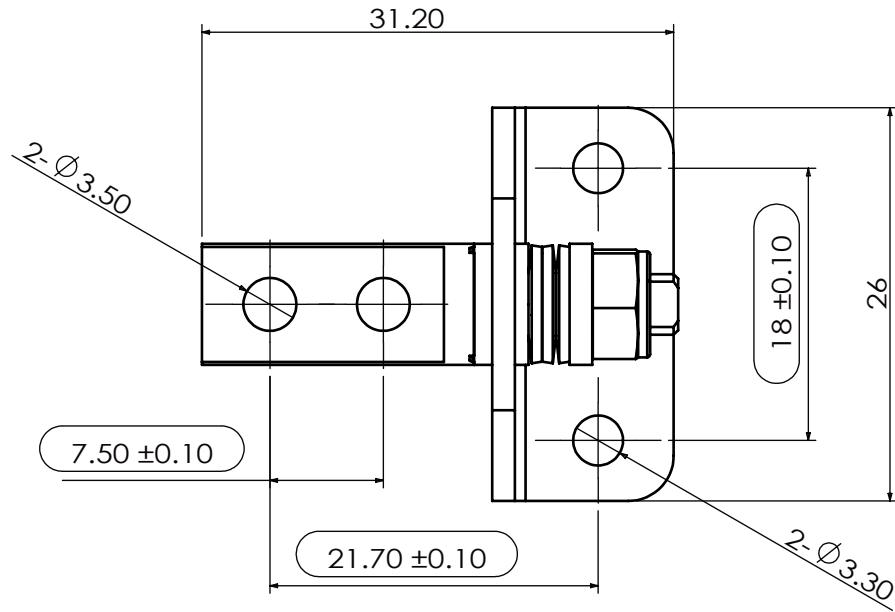


1	Date	Revisions	Staff
	****	*****	**



- 注:1.扭力3.0-3.9kgf.cm
 2.带圆圈尺寸为重点尺寸.
 3.表面镀无化学镍3~6μm
 4.倒角均为:C0.4
 5.一般公差:±0.2.
 6.使用产品必须符合ROHS要求。

001	组装图		****	****	1	
No.	Parts Name		Materials	Treat	Q'ty	Remarks
Approved	Checked	Drawn	Designed	Date	Tolerance	Customer
				2019.8.14	L < 1 0.05	
				Scale	Angle	DWG Name
				1:1	* ° 4 < L ≤ 16 0.15	*****
Jiaxing yujia Machinery Co.,Ltd				Unit	mm	DWG No.
				16 < L ≤ 63 0.2		SD2202A10000
				63 < L 0.25		